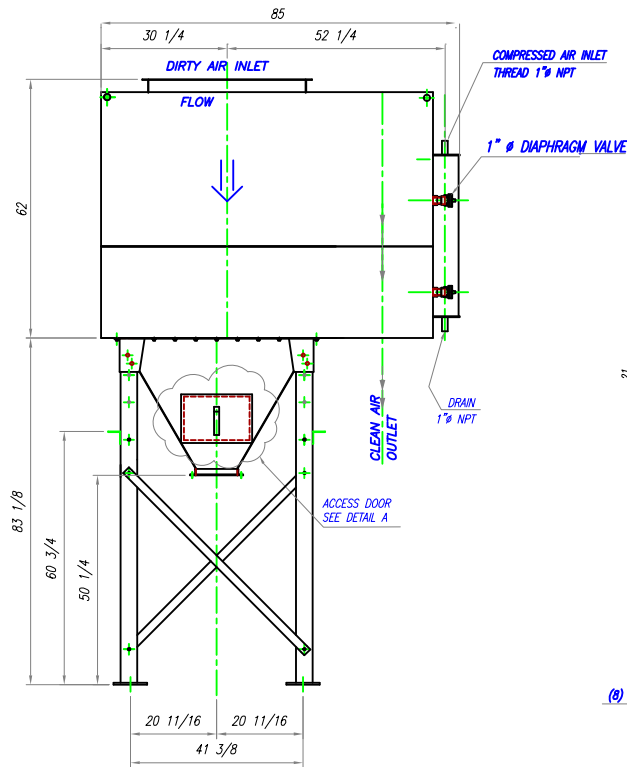
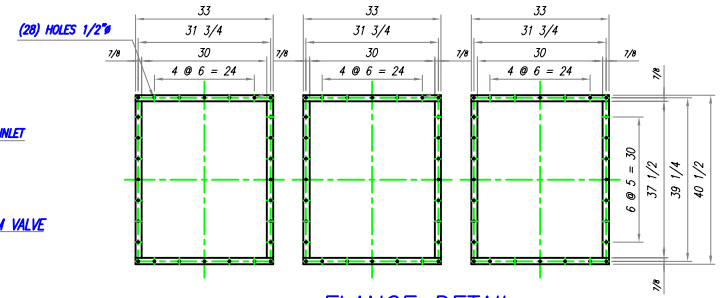


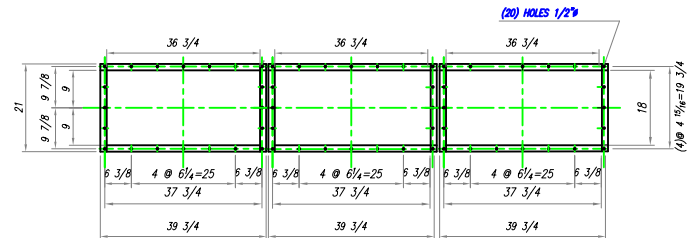
FRONT VIEW



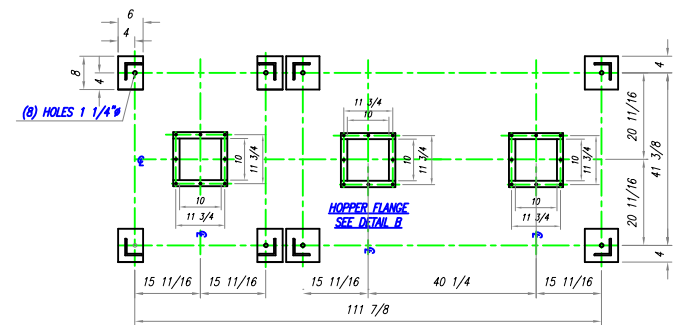
SIDE VIEW



FLANGE DETAIL
DIRTY AIR INLET



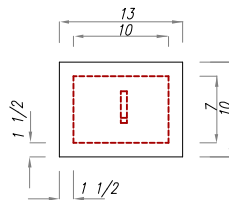
FLANGE DETAIL
CLEAN AIR OUTLET



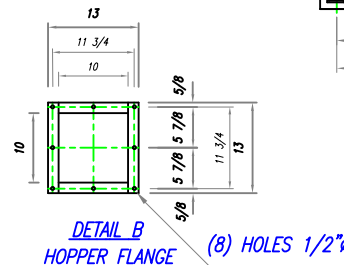
ANCHOR BOLT DETAIL

MODEL: 2-24

OF FILTERS: _____ 24
 FILTER DIMENSION: _____ 13.8 Ø EXT. x 26.00 LENGTH.
 FILTER AREA: _____ 6096.0 SQ. FT.
 # OF VALVES: _____ 12
 COMPRESSED AIR REQ: _____ 90-100 PSIG
 AIR CONSUM. _____ 9 SCFM APROX.
 (10 SEC PULSES INTERVALS)
 DESIGN PRESSURE: _____ 20" WG
 STANDARD COLOR: _____ IVEC Light Grey (OPTIONAL COLOR AVAILABLE)
 SHIPPING WEIGHT: _____ 4198.26 POUNDS.



DETAIL A
ACCESS DOOR



DETAIL B
HOPPER FLANGE (8) HOLES 1/2" Ø

DIMENSIONS:
INCHES

GENERAL ARRANGEMENT

REV:	DESCRIPTION:	BY:	DATE:
AMENDMENTS:			

DRAWING TITLE:

SUBMITTAL

101015224

10/10/15

DRAWING NO.

DATE.

TITLE:

IVDC-MODEL 2-24

NTS

AK

A

SCALE AT AA.

DRAWN.

CHECKED.

REVISION.

