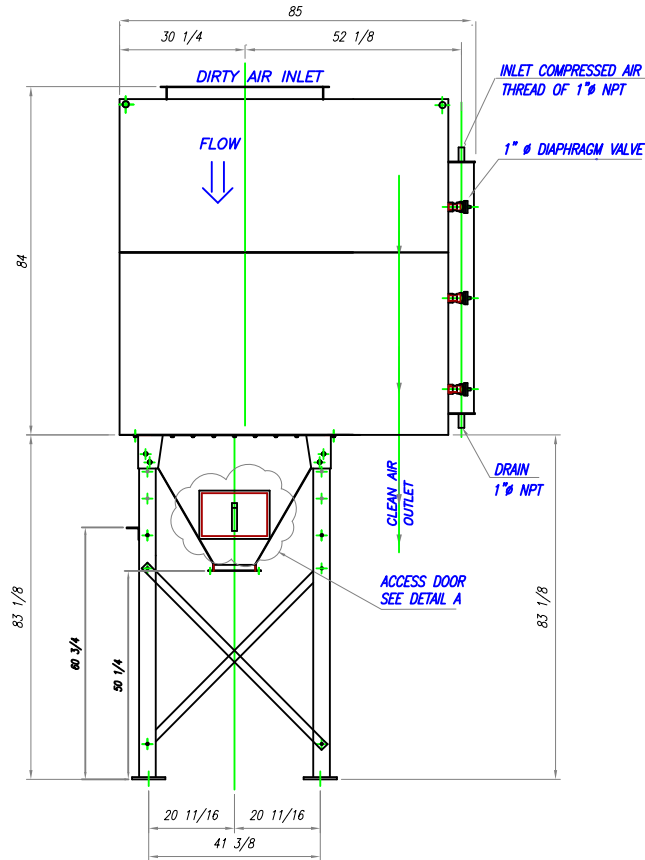
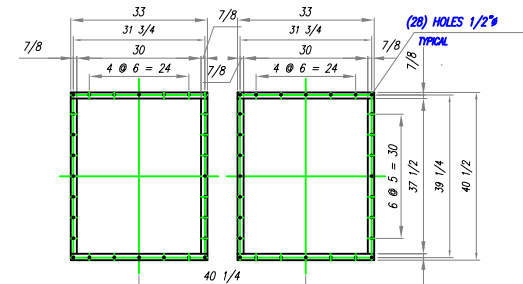


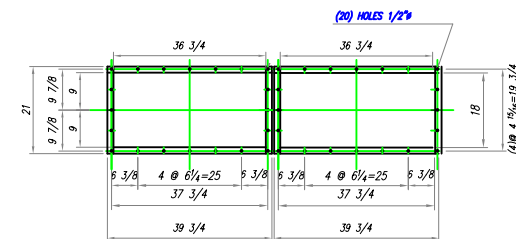
FRONT VIEW



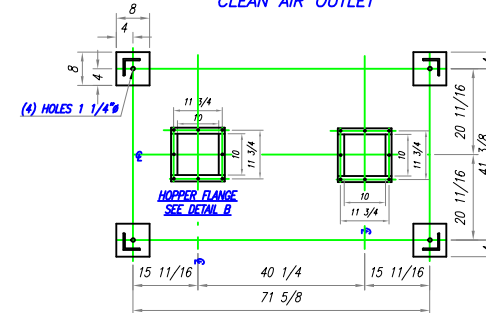
SIDE VIEW



FLANGE DETAIL
(DIRTY AIR INLET)



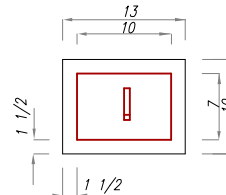
FLANGE DETAIL
CLEAN AIR OUTLET



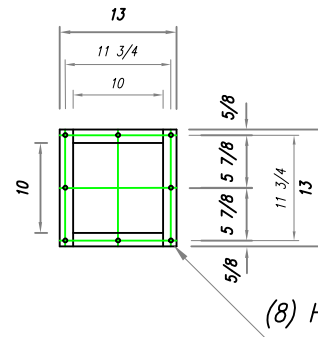
ANCHOR BOLT DETAIL

MODEL: 3-24

OF FILTERS: _____ 24
 FILTER DIMENSION: _____ 13.8 Ø EXT. x 26.00 LENGTH.
 FILTER AREA: _____ 6096.0 SQ. FT.
 # OF VALVES: _____ 12
 COMPRESSED AIR REQ: _____ 90-100 PSIG
 AIR CONSUM. _____ 9 SCFM APROX.
 (10 SEC PULSES INTERVALS)
 DESIGN PRESSURE: _____ 20" WG
 STANDARD COLOR: _____ IVEC Light Grey (OPTIONAL COLOR AVAILABLE)
 SHIPPING WEIGHT: _____ 3004.76 POUNDS.



DETAIL A
ACCESS DOOR



DETAIL B
HOPPER FLANGE

DIMENSIONS:
INCHES

| REV. | DESCRIPTION: | BY: | DATE: |
|------|--------------|-----|-------|
| | | | |

AMENDMENTS:

DRAWING TITLE:

SUBMITTAL

101015324

DRAWING NO.

10/10/15

DATE.

TITLE:

IVDC-MODEL 3-24

NTS

SCALE AT A4.

AK

DRAWN.

A

REVISION.

CHECKED.

