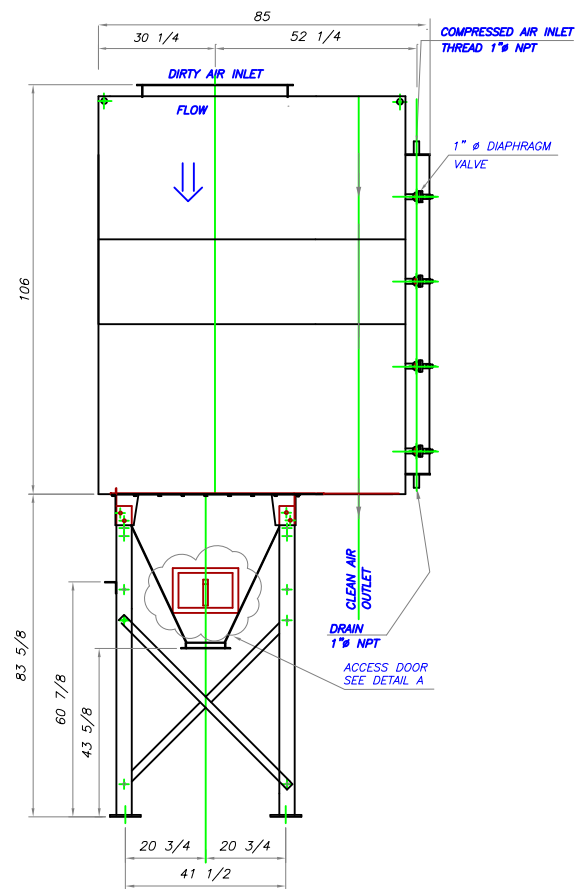
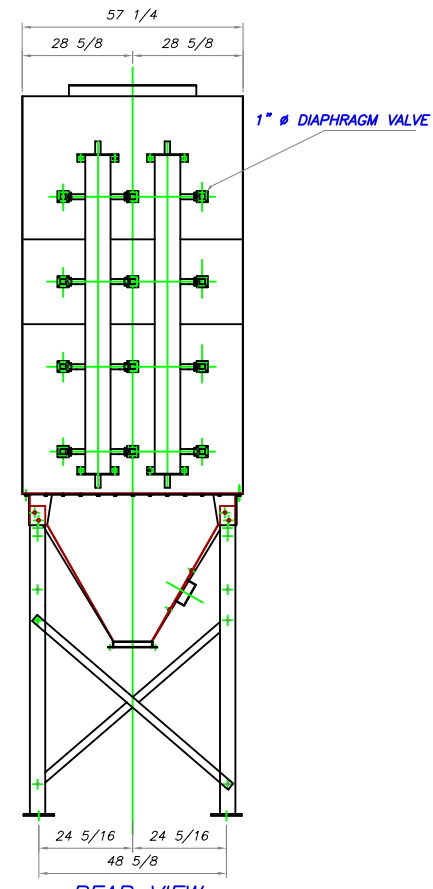


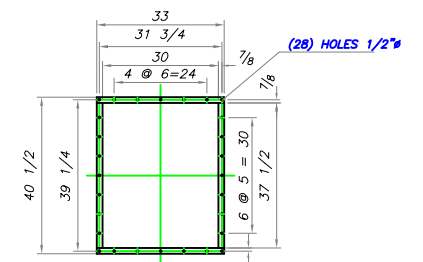
**FRONT VIEW**



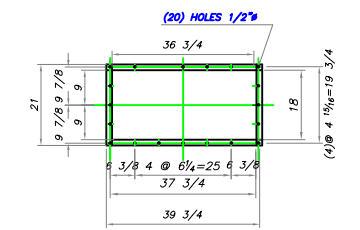
**SIDE VIEW**



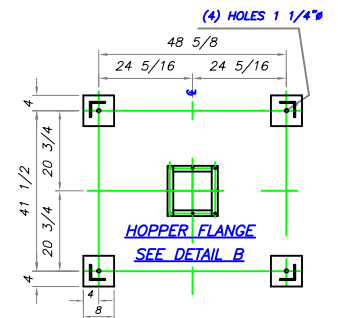
**REAR VIEW**



**FLANGE DETAIL  
DIRTY AIR INLET**

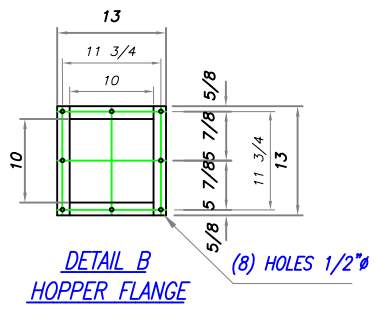


**FLANGE DETAIL  
(CLEAN AIR OUTLET)**

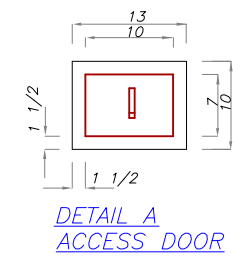


**ANCHOR BOLT DETAIL**

**MODEL: 4-24**  
 # OF FILTERS: 24  
 FILTER DIMENSION: 13.8 Ø EXT. x 26.00 LENGTH.  
 FILTER AREA: 6096.0 SQ. FT.  
 # OF VALVES: 12  
 COMPRESSED AIR REQ: 90-100 PSIG  
 AIR CONSUM. 9 SCFM APROX.  
 (10 SEC PULSES INTERVALS)  
 DESIGN PRESSURE: 20" WG  
 STANDARD COLOR: IVEC Light Grey (OPTIONAL COLOR AVAILABLE)  
 SHIPPING WEIGHT: 3650.0 POUNDS.



**DETAIL B  
HOPPER FLANGE**



**DETAIL A  
ACCESS DOOR**

**DIMENSIONS:  
INCHES**

REV:	DESCRIPTION:	BY:	DATE:
AMENDMENTS:			

DRAWING TITLE: <b>SUBMITTAL</b>		101615424		10/16/15	
TITLE: <b>IVDC-MODEL 4-24</b>		DRAWING NO.		DATE.	
SCALE AT A4.		DRAWN.		REVISION.	
NTS		AK		A	

