



IVEC E-Z GATES

ELECTRIC DUCT GATES POWERED BY IVEC CONTROLS

Upgrade performance and save money with IVEC gates

IVEC Systems' controls open and close E-Z Gates automatically, reducing energy utilization, minimizing motor wear, optimizing system performance, and saving you money. E-Z Gates come in a wide range of sizes and settings to best fit your dust collection or fume venting needs. The automatic functionality of the dampers guarantees that unnecessary energy is not used, while still maximizing the dust, particle, and debris extraction in your facility. With a selection of Electric with Overload Protection E-Z gate dampers, IVEC® Controls conserves air volume and allows air to be diverted to the most focused areas.

FEATURES

- Seal on blade
- High pressure duct seal, 100" WC
- 24 VDC
- Manual override
- Blade 100% out of air stream
- Quick open time
- 5 year warranty on actuator
- Overload protection
- N/O & N/Closed
- Optional 4-20 MA/Modulating

BENEFITS

- Lower energy costs by up to 50-80% with smart controller option
- No air needed, saves on air leaks

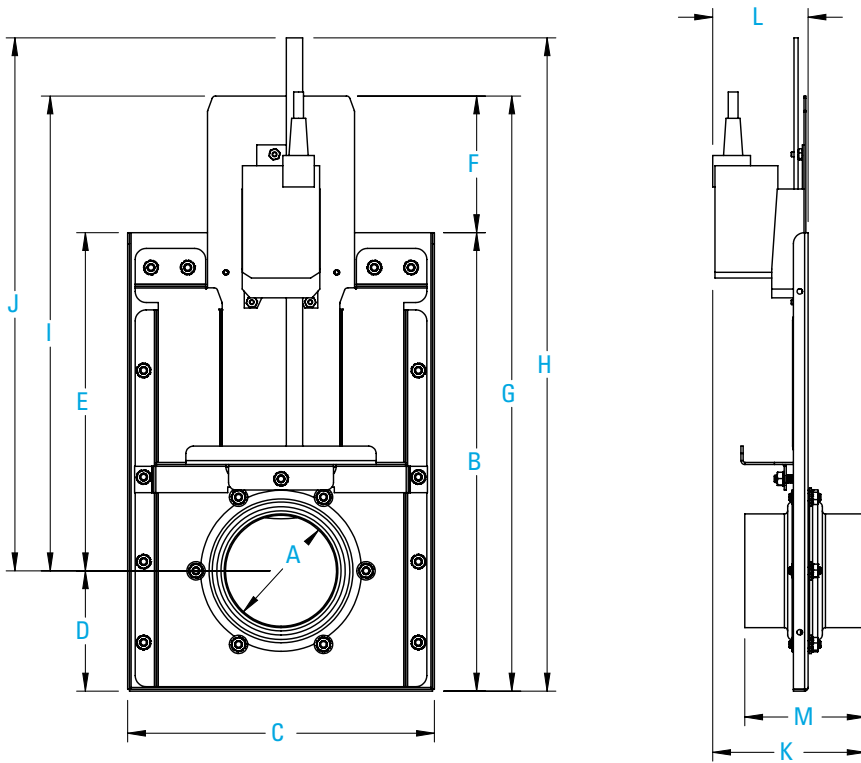
Applications

Fume, large particulate, & mist from machining, grinding, polishing, cutting, welding, and other industrial processes

CLEAN AIR. ONLY SMARTER.



IVEC ELECTRIC E-Z GATES



Electric gate on IVEC Ultra® Housekeeping system

| Model | Size | A | B | C | D | E | F | G | H | I | J | K | L | M |
|-------------|------|-------|-------|-------|------|-------|------|-------|-------|-------|-------|------|------|------|
| EZGATE-04-E | 4 | 3.87 | 15.59 | 10.43 | 4.10 | 11.49 | 4.65 | 20.24 | 22.22 | 16.14 | 18.12 | 5.19 | 3.24 | 4.10 |
| EZGATE-06-E | 6 | 5.87 | 20.09 | 11.93 | 5.59 | 14.50 | 5.56 | 25.65 | 25.59 | 20.06 | 20.00 | 5.20 | 3.24 | 5.20 |
| EZGATE-08-E | 8 | 7.85 | 20.09 | 11.93 | 5.59 | 14.50 | 6.55 | 26.64 | 25.59 | 21.05 | 20.00 | 5.20 | 3.24 | 4.13 |
| EZGATE-10-E | 10 | 9.87 | 27.81 | 15.93 | 7.59 | 20.22 | 6.33 | 34.14 | 37.84 | 26.55 | 30.25 | 5.71 | 3.71 | 4.21 |
| EZGATE-12-E | 12 | 11.87 | 27.81 | 15.93 | 7.59 | 20.22 | 7.33 | 35.14 | 37.84 | 27.55 | 30.25 | 5.71 | 3.71 | 4.21 |
| EZGATE-14-E | 14 | 13.97 | 36.06 | 19.93 | 9.59 | 26.47 | 6.12 | 42.18 | 41.86 | 32.59 | 32.27 | 5.71 | 3.71 | 4.21 |
| EZGATE-16-E | 16 | 15.92 | 36.06 | 19.93 | 9.59 | 26.47 | 7.16 | 43.22 | 41.86 | 33.63 | 32.27 | 5.78 | 3.71 | 4.34 |

All dimensions in inches

**CALL FOR A DETAILED ANALYSIS OF YOUR APPLICATION & LET US
HELP YOU FIND THE BEST SOLUTION FOR YOUR NEEDS**

IVEC Systems | 866.670.4832 | www.ivecsystems.com

