



ivecTM
SYSTEMS

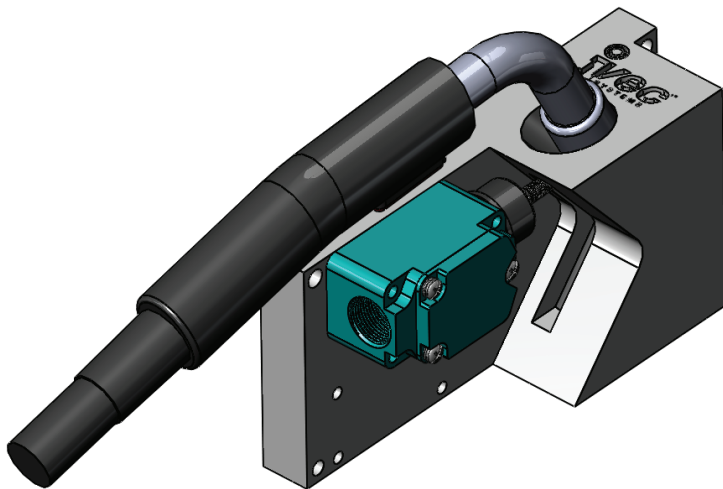
ACCESSORIES

SENSORS

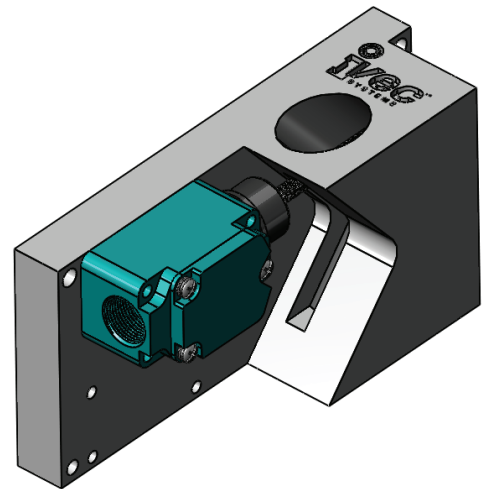
WELD GUN HOLSTER

The **weld gun holster**, with the **Ivec holster switch** as an input device, assures that when the welding gun is returned to the home position, and interacts with the switch, the associated auto gate closes.

As the gate closes the Ivec control system proceeds to vary the speed of the motor to accommodate for the change to the system and, when all welding guns are in the home position, stops the dust collector motor entirely; saving energy.



Off Position



On Position

Features

When the gun is returned to the holster, the gun is protected.

Applications

Welding



ivecTM
SYSTEMS

Intelligent Ventilation Energy Controls

866.670.4832

www.ivecsystems.com