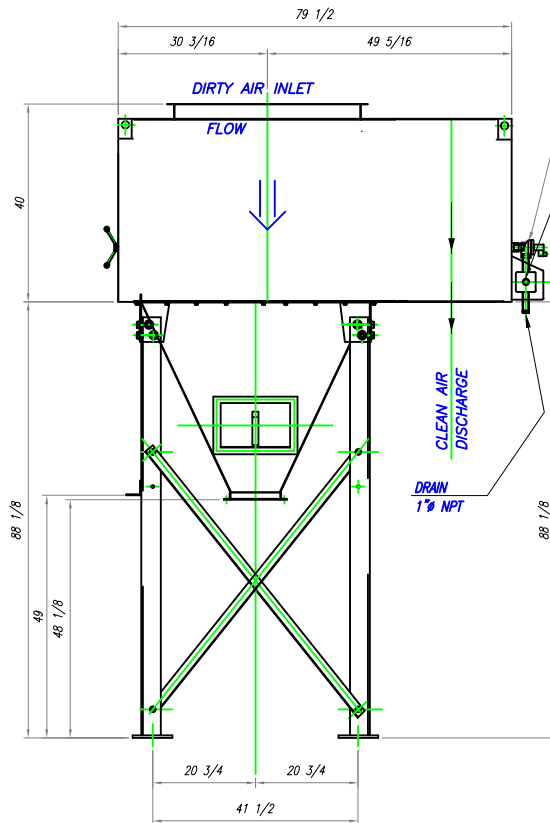
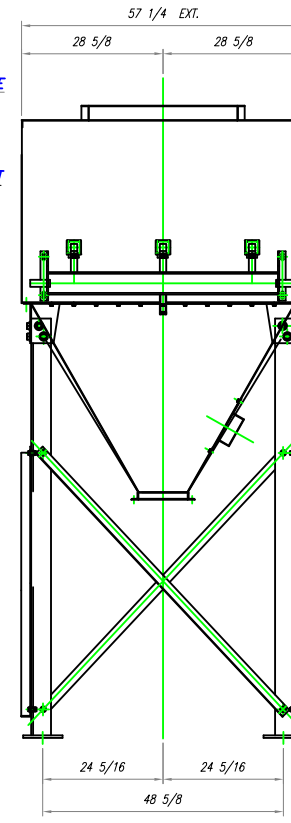


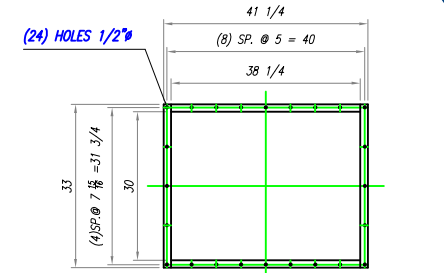
FRONT VIEW



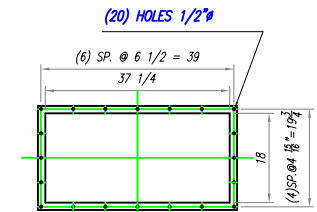
SIDE VIEW



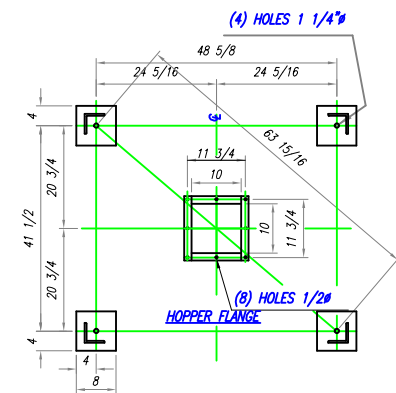
REAR VIEW



FLANGE DETAIL
(DIRTY AIR INLET)



FLANGE DETAIL
(CLEAN AIR OUTLET)



ANCHOR BOLT DETAIL

MODEL: 1-6
 # OF FILTERS: 6
 FILTER DIMENSION: 13.8 Ø EXT. x 26.00 LENGTH.
 FILTER AREA: 1524.0 SQ. FT.
 # OF VALVES: 3
 COMPRESSED AIR REQ: 90-100 PSIG
 AIR CONSUM. 9 SCFM APROX.
 (10 SEC PULSES INTERVALS)
 DESIGN PRESSURE: - 20" WG
 STANDARD COLOR: IVEC Light Grey (OPTIONAL COLOR AVAILABLE)
 SHIPPING WEIGHT: 1698.4 POUNDS.

**DIMENSIONS:
INCHES**

REV.	DESCRIPTION:	BY:	DATE:
AMENDMENTS:			

DRAWING TITLE: SUBMITTAL	10101516 DRAWING NO.		10/10/15 DATE.	
TITLE: IVDC-MODEL 1-6	NTS SCALE AT A4.	AK DRAWN.		A REVISION.

