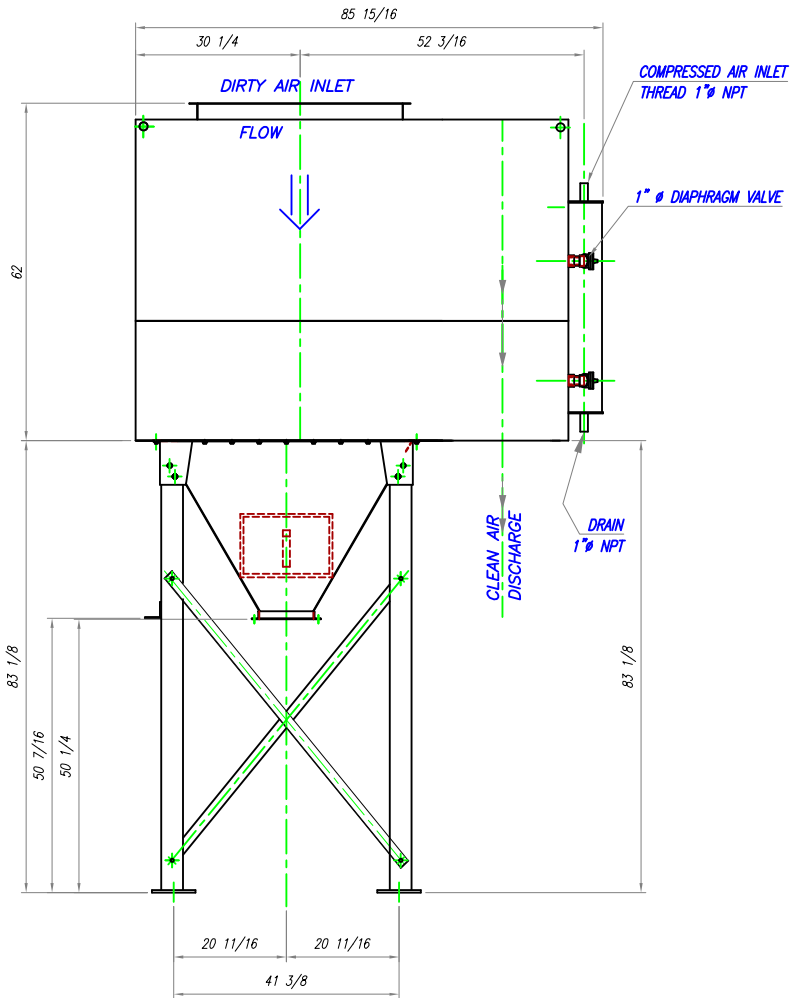
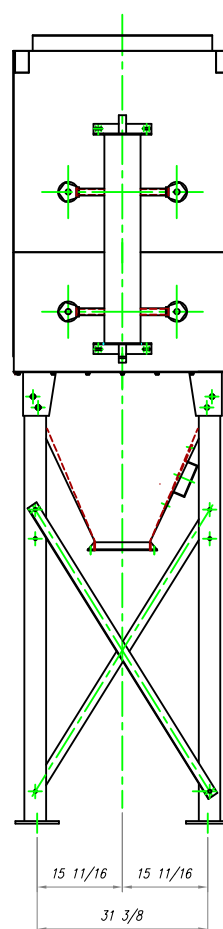


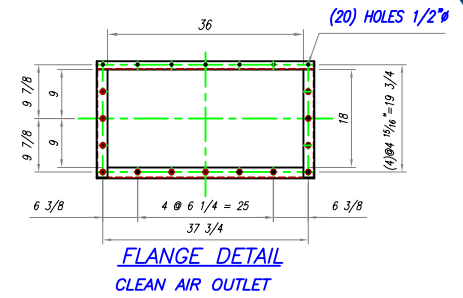
FRONT VIEW



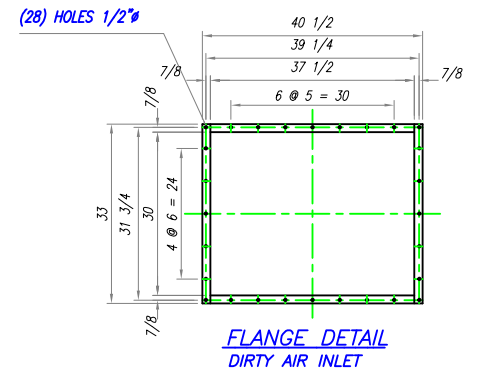
SIDE VIEW



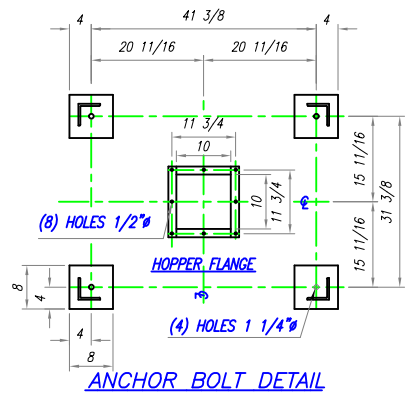
REAR VIEW



FLANGE DETAIL  
CLEAN AIR OUTLET



FLANGE DETAIL  
DIRTY AIR INLET



ANCHOR BOLT DETAIL

DIMENSIONS:  
INCHES

**MODEL: 2-8**  
 # OF FILTERS: 8  
 FILTER DIMENSION: 13.8" EXT. x 26.00 LENGTH.  
 FILTER AREA: 2032.0 SQ. FT.  
 # OF VALVES: 4  
 COMPRESSED AIR REQ: 90-100 PSIG  
 AIR CONSUM. 9 SCFM APPROX.  
 (10 SEC PULSES INTERVALS)  
 DESIGN PRESSURE: 20" WG  
 STANDARD COLOR: IVEC Light Grey (OPTIONAL COLOR AVAILABLE)  
 SHIPPING WEIGHT: 1937.1 POUNDS.

DRAWING TITLE: <b>SUBMITTAL</b>		10101528		10/10/15	
		DRAWING NO.		DATE.	
TITLE: <b>IVDC-MODEL 2-8</b>		NTS	AK	A	
		SCALE AT AA.	DRAWN.	CHECKED.	REVISION.

REV.	DESCRIPTION:	BY:	DATE:
AMENDMENTS:			

