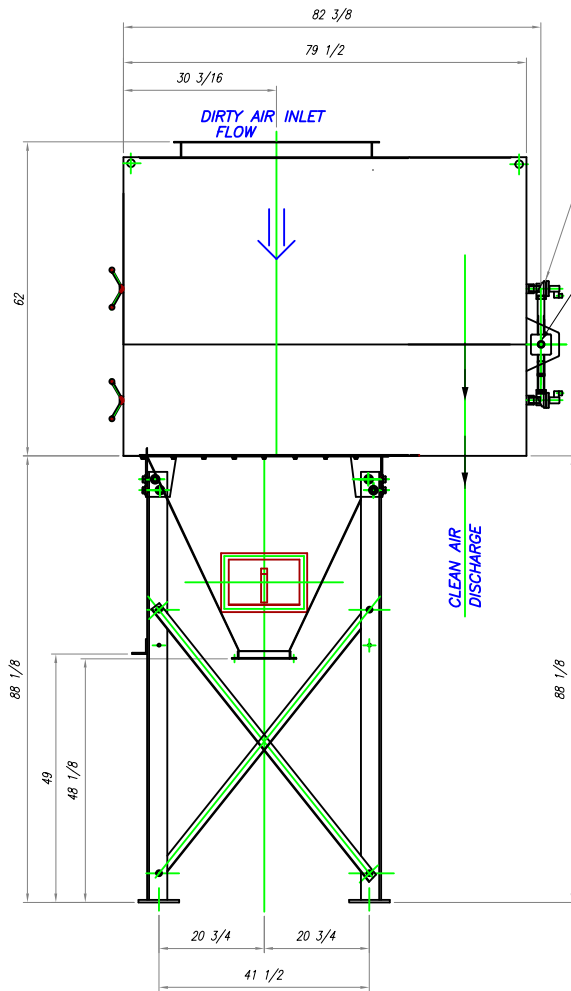
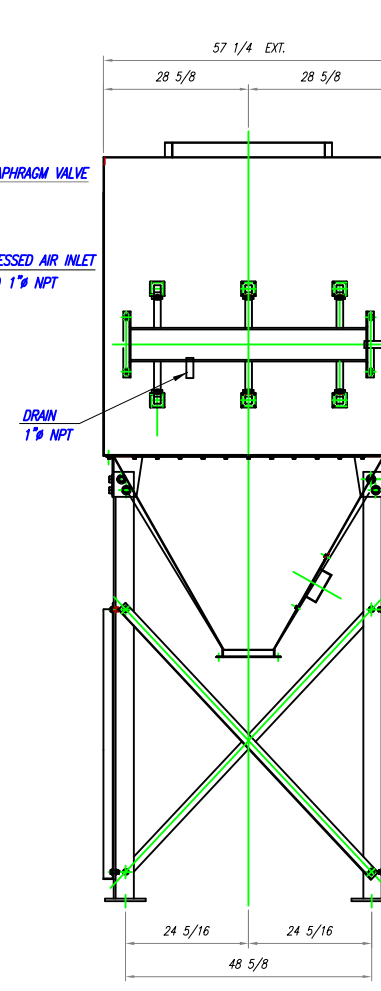


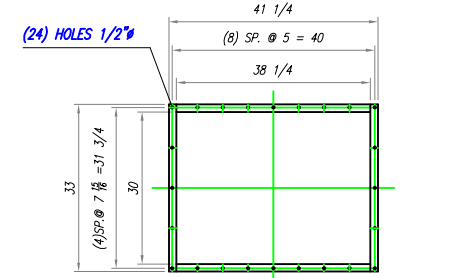
FRONT VIEW



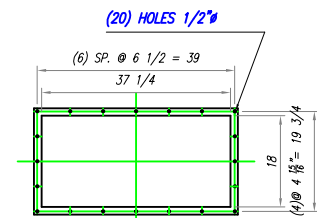
SIDE VIEW



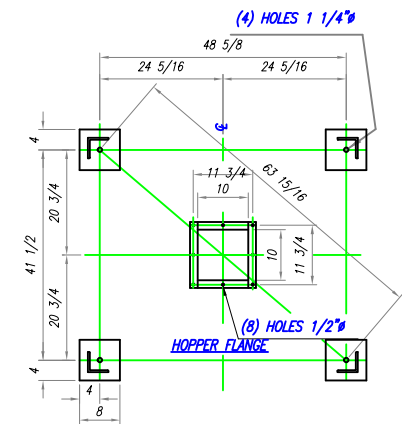
REAR VIEW



FLANGE DETAIL (DIRTY AIR INLET)



FLANGE DETAIL (CLEAN AIR OUTLET)



ANCHOR BOLT DETAIL

MODEL: 2-12
 # OF FILTERS: 12
 FILTER DIMENSION: 13.8 Ø EXT. x 26.00 LENGTH.
 FILTER AREA: 3048.0 SQ. FT.
 # OF VALVES: 6
 COMPRESSED AIR REQ: 90-100 PSIG
 AIR CONSUM: 9 SCFM APROX.
 (10 SEC PULSES INTERVALS)
 DESIGN PRESSURE: - 20" WG
 STANDARD COLOR: IVEC Light Grey (OPTIONAL COLOR AVAILABLE)
 SHIPPING WEIGHT: 2308.8 POUNDS.

DIMENSIONS: INCHES

REV:	DESCRIPTION:	BY:	DATE:
AMENDMENTS:			

DRAWING TITLE: SUBMITTAL		101015212		10/10/15	
TITLE: IVDC-MODEL 2-12		DRAWING NO.	AK	DATE.	A
SCALE AT A4.		DRAWN.	CHECKED.	REVISION.	

