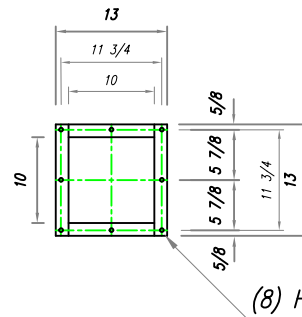
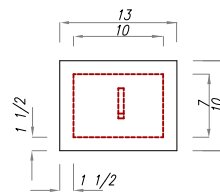


MODEL: 3-12

OF FILTERS: _____ 12
 FILTER DIMENSION: _____ 13.8 Ø EXT. x 26.00 LENGTH.
 FILTER AREA: _____ 3048.0 SQ. FT.
 # OF VALVES: _____ 6
 COMPRESSED AIR REQ: _____ 90-100 PSIG
 AIR CONSUM. _____ 9 SCFM APPROX.
 (10 SEC PULSES INTERVALS)
 DESIGN PRESSURE: _____ - 20" WG
 STANDARD COLOR: _____ IVEC Light Grey (OPTIONAL COLOR AVAILABLE)
 SHIPPING WEIGHT: _____ 2264.68 POUNDS.



(8) HOLES 1/2"Ø

**DIMENSIONS:
INCHES**

REV.	DESCRIPTION:	BY:	DATE:
AMENDMENTS:			

DRAWING TITLE:

SUBMITTAL

101015312

DRAWING NO.

10/10/15

DATE.

TITLE:

IVDC-MODEL 3-12

NTS

SCALE AT 4x.

AK

DRAWN.

CHECKED.

A

REVISION.

