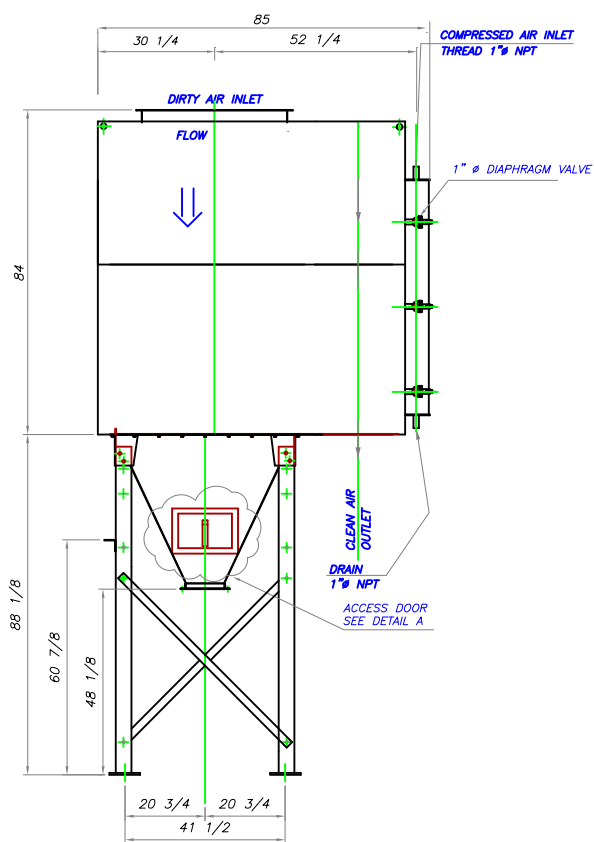
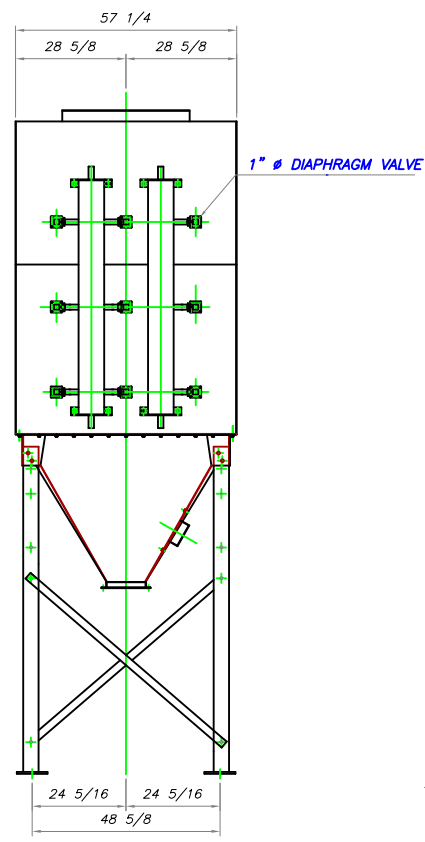


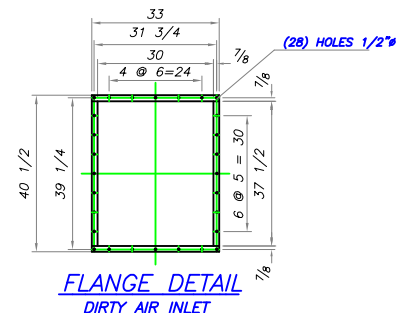
FRONT VIEW



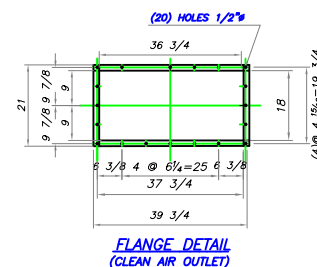
SIDE VIEW



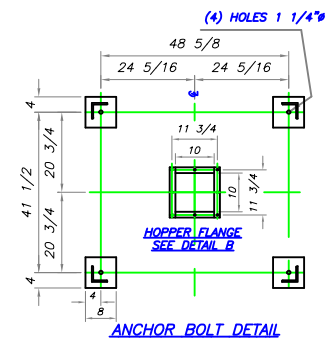
REAR VIEW



**FLANGE DETAIL
DIRTY AIR INLET**



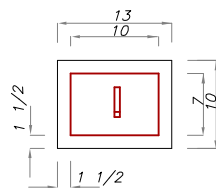
**FLANGE DETAIL
(CLEAN AIR OUTLET)**



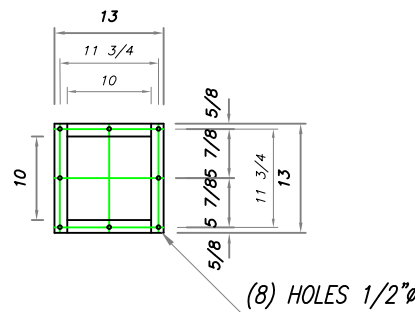
ANCHOR BOLT DETAIL

MODEL: 3-18

OF FILTERS: _____ 18
 FILTER DIMENSION: _____ 13.8 Ø EXT. x 26.00 LENGTH.
 FILTER AREA: _____ 4572.0 SQ. FT.
 # OF VALVES: _____ 9
 COMPRESSED AIR REQ: _____ 90-100 PSIG
 AIR CONSUM. _____ 9 SCFM APPROX.
 (10 SEC PULSES INTERVALS)
 DESIGN PRESSURE: _____ - 20" WG
 STANDARD COLOR: _____ IVEC Light Grey (OPTIONAL COLOR AVAILABLE)
 SHIPPING WEIGHT: _____ 2825.02 POUNDS.



**DETAIL A
ACCESS DOOR**



**DETAIL B
HOPPER FLANGE**

**DIMENSIONS:
INCHES**

REV:	DESCRIPTION:	BY:	DATE:
AMENDMENTS:			

DRAWING TITLE: SUBMITTAL		101015318		10/10/15	
TITLE: IVDC-MODEL 3-18		DRAWING NO.		DATE.	
SCALE AT A4.		DRAWN.		REVISION.	
NTS		AK		A	
CHECKED.		CHECKED.		CHECKED.	

