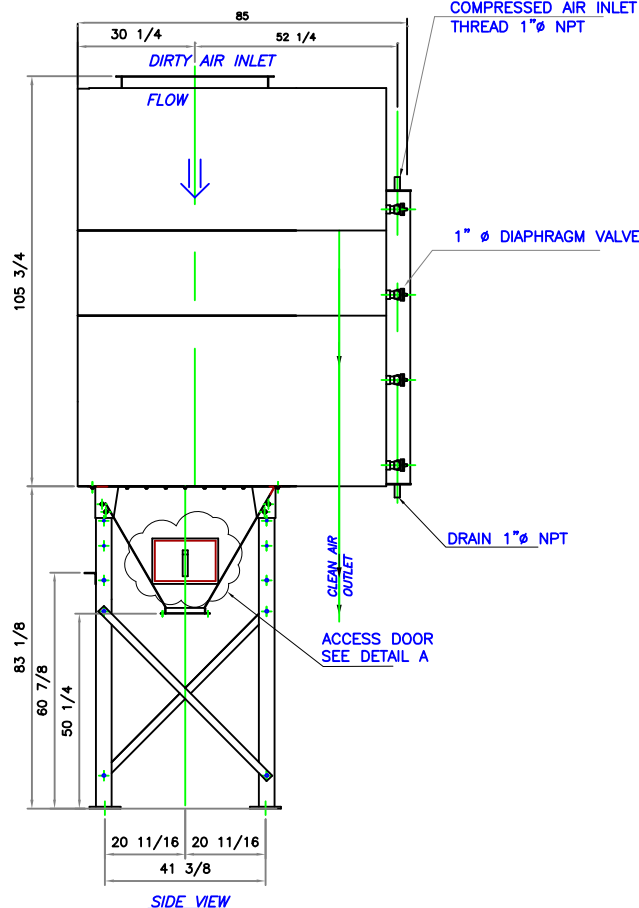
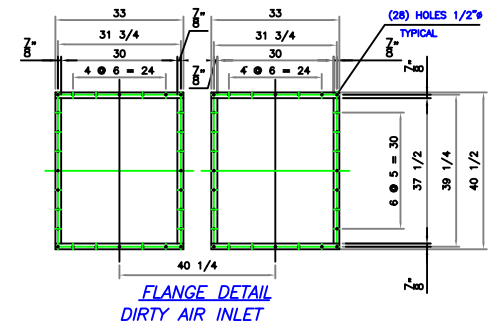


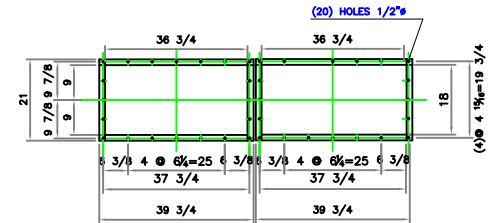
FRONT VIEW



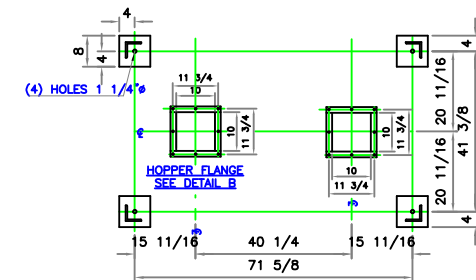
SIDE VIEW



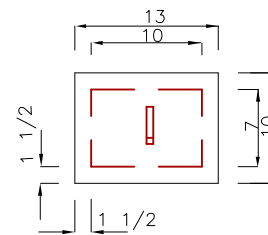
FLANGE DETAIL DIRTY AIR INLET



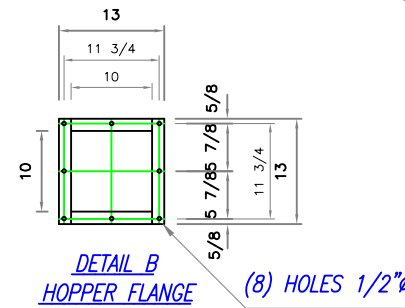
FLANGE DETAIL CLEAN AIR OUTLET



ANCHOR BOLT DETAIL



DETAIL A ACCESS DOOR



DETAIL B HOPPER FLANGE

DIMENSIONS: INCHES

GENERAL ARRANGEMENT MODEL 4-32

MODEL: 4-32

OF FILTERS: 32
 FILTER DIMENSION: 13.8 Ø EXT. x 26.00 LENGTH.
 FILTER AREA: 8128.0 SQ. FT.
 # OF VALVES: 16
 COMPRESSED AIR REQ: 90-100 PSIG
 AIR CONSUM. 18 SCFM APPROX.
 (10 SEC PULSES INTERVALS)
 DESIGN PRESSURE: 20" WG
 STANDARD COLOR: IVEC Light Grey (OPTIONAL COLOR AVAILABLE)
 SHIPPING WEIGHT: 3596.78 POUNDS.

REV:	DESCRIPTION:	BY:	DATE:
AMENDMENTS:			

DRAWING TITLE: SUBMITTAL		100615432 DRAWING NO.		10/06/15 DATE.	
TITLE: IVDC-MODEL 4-32		NTS SCALE AT A4.	JE DRAWN.	A CHECKED.	A REVISION.

